



# ETCO

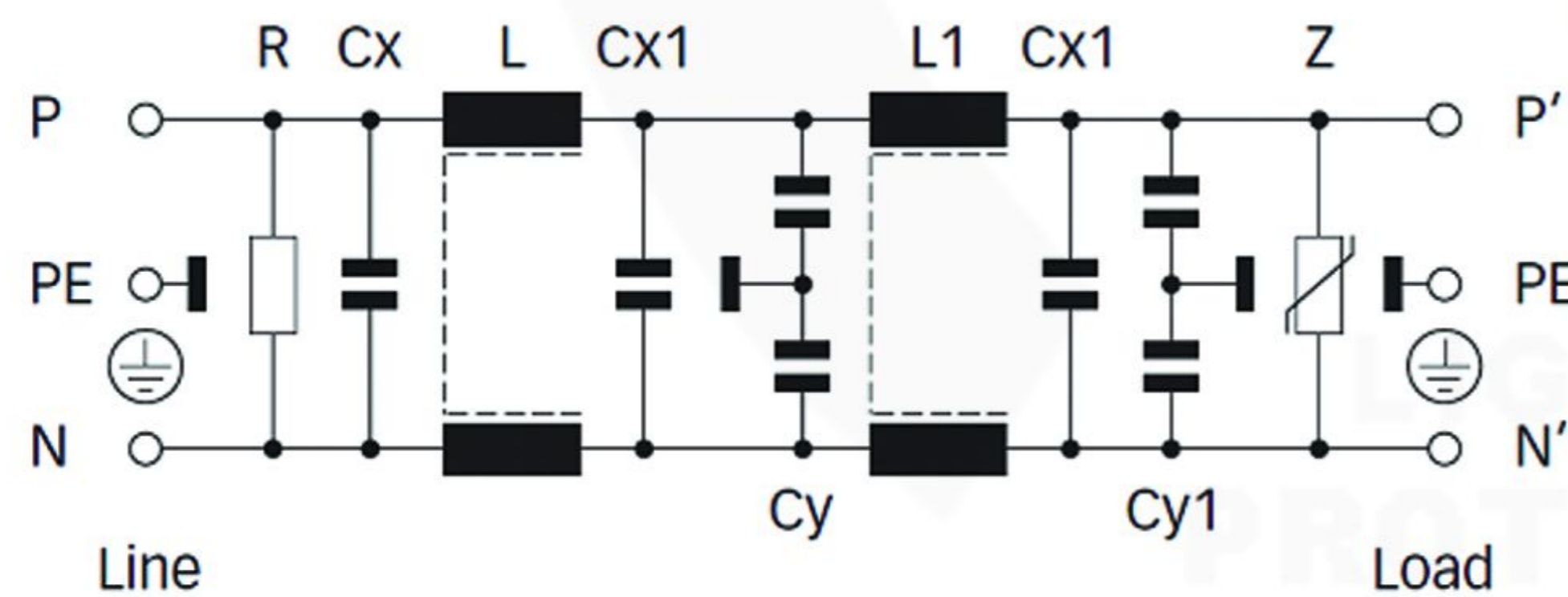
SINGLE PHASE EMC-EMI FILTER  
NOISE SOLUTION

[www.electrotavan.com](http://www.electrotavan.com)

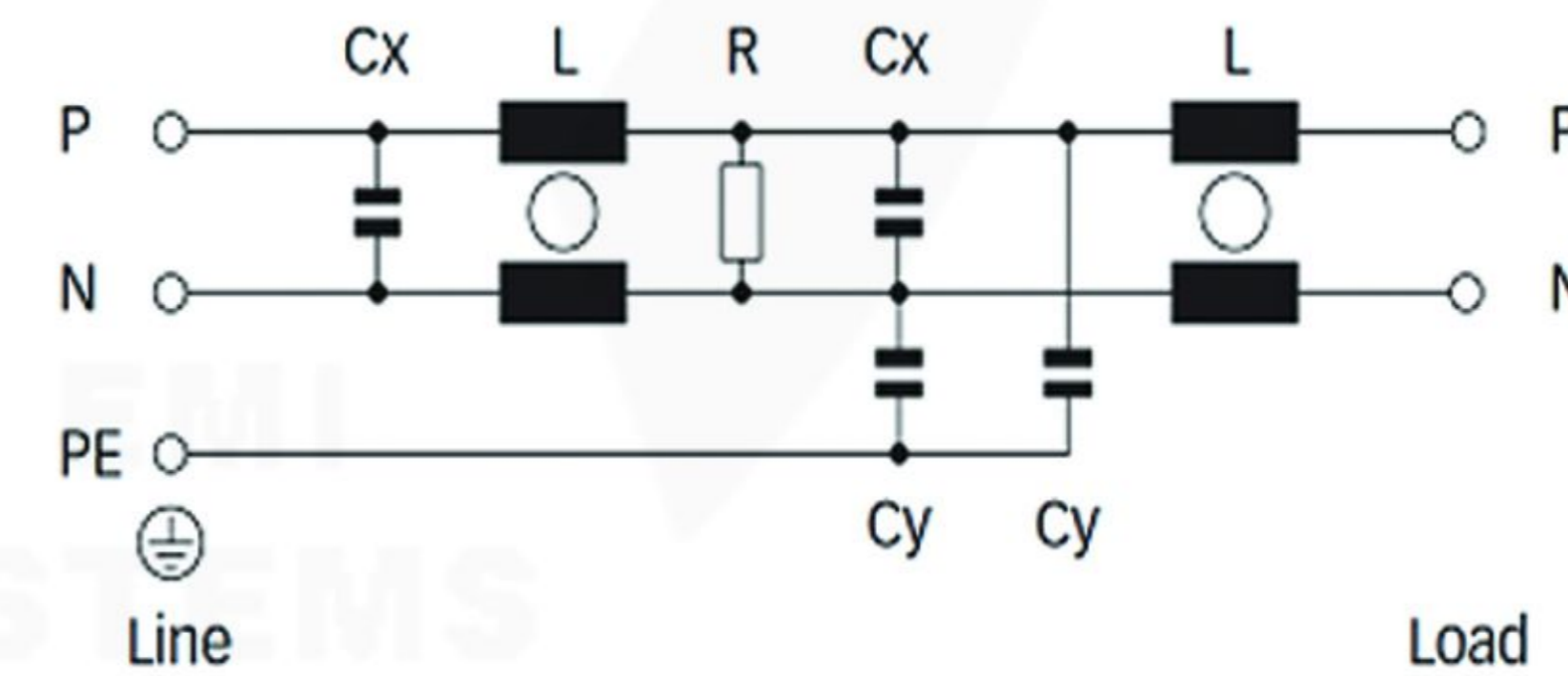


# Multi Stages Single Phase EMC/EMI Filter

Three stages filter



Two Stages filter



## Technical Specifications

Continuous Operating Voltage	250 VAC ( 210 ~ 280 VAC)
Rated current	10 – 100 A ac @ 40C
Operating Frequency	50/60 Hz
Best Noise Frequency Attenuation range	100 KHz to 30 MHz (Two stages) 150 KHz to 50 MHz (Three stages)
Protection category (IP)	IP67 (Two stages 10&20A) IP20 (Two stages 30 - 100 A) IP20 (Three stages)
Temperature range	-20 to +85 C
Overload capability	1.2x rated current for 1 Hour 1.5x rated current for 1 minute
Transient Voltage (T.V)	2000 V
Design corresponding to	UL 1283 , CSA 22.2 No.8 1986
MTBF @ 45C	100,000 Hours (Three Stages) 150,000 Hours (Two stages)



## Applications

- Single phase systems with high degree pollution of electromagnetic interferences
- Medical equipments
- Data servers and data transfer equipments
- Home appliance protection
- Lighting equipments
- Office automation and datacom equipments
- Machinery
- Single phase industrial applications
- Smart building automation

## Features and benefits

- Using first grade ferrite cores with excellent thermal performance
- Accurate and compact resin coating for thermal discharge and proper temperature performance
- Steel body to prevent any radiated noise from entering the filter
- Suitable dimensions for use in small spaces and, if needed, customization of desired dimensions in high custom volumes
- Good performance in environments with high noise levels
- Quality guarantee and after-sales service

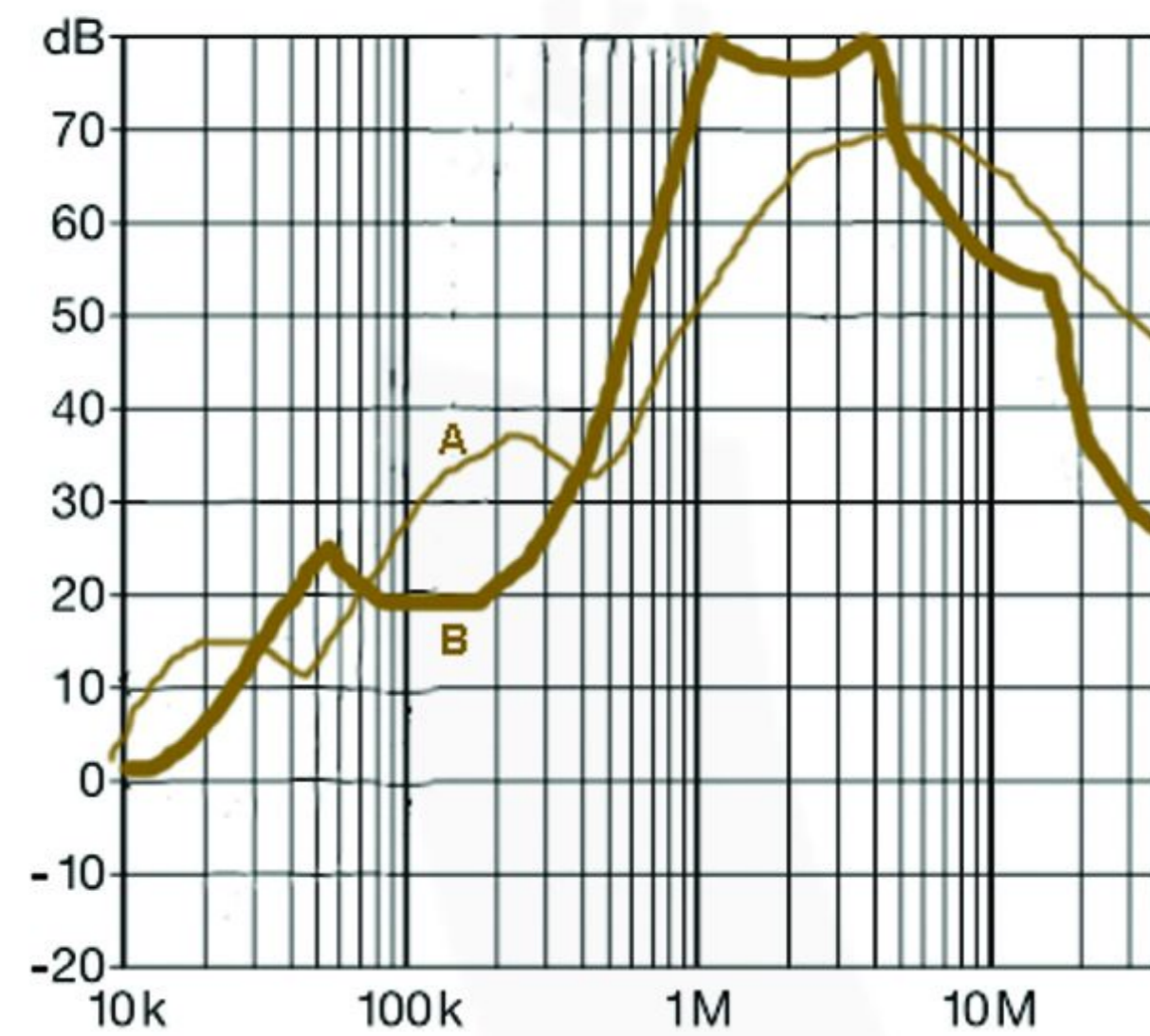
**Filter attenuation range**



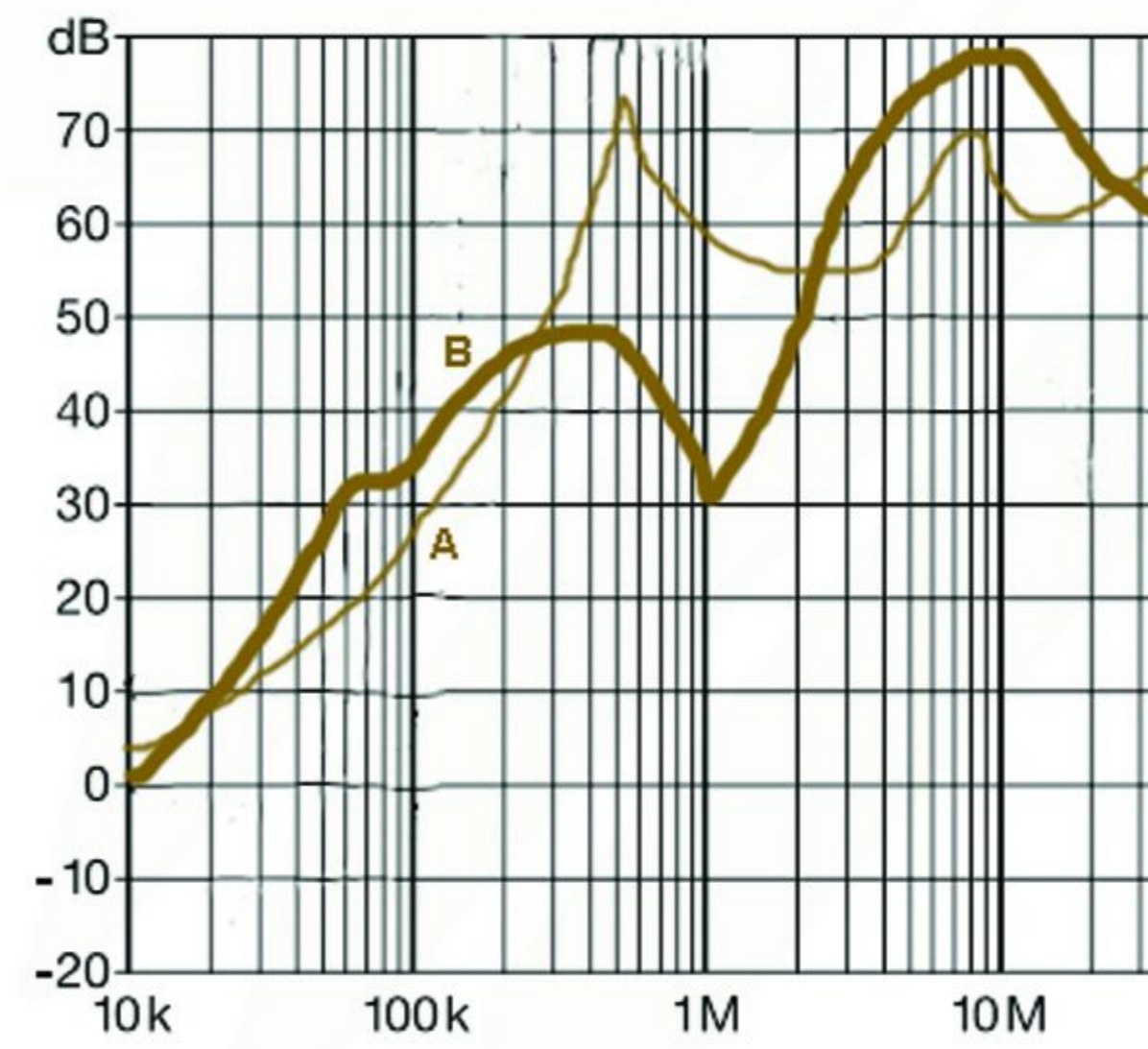
**Filter Attenuation performance**

Based on CISPR 17 : A=50 ohm / 50 ohm symmetrical , B=50 ohm / 50 ohm asymmetrical

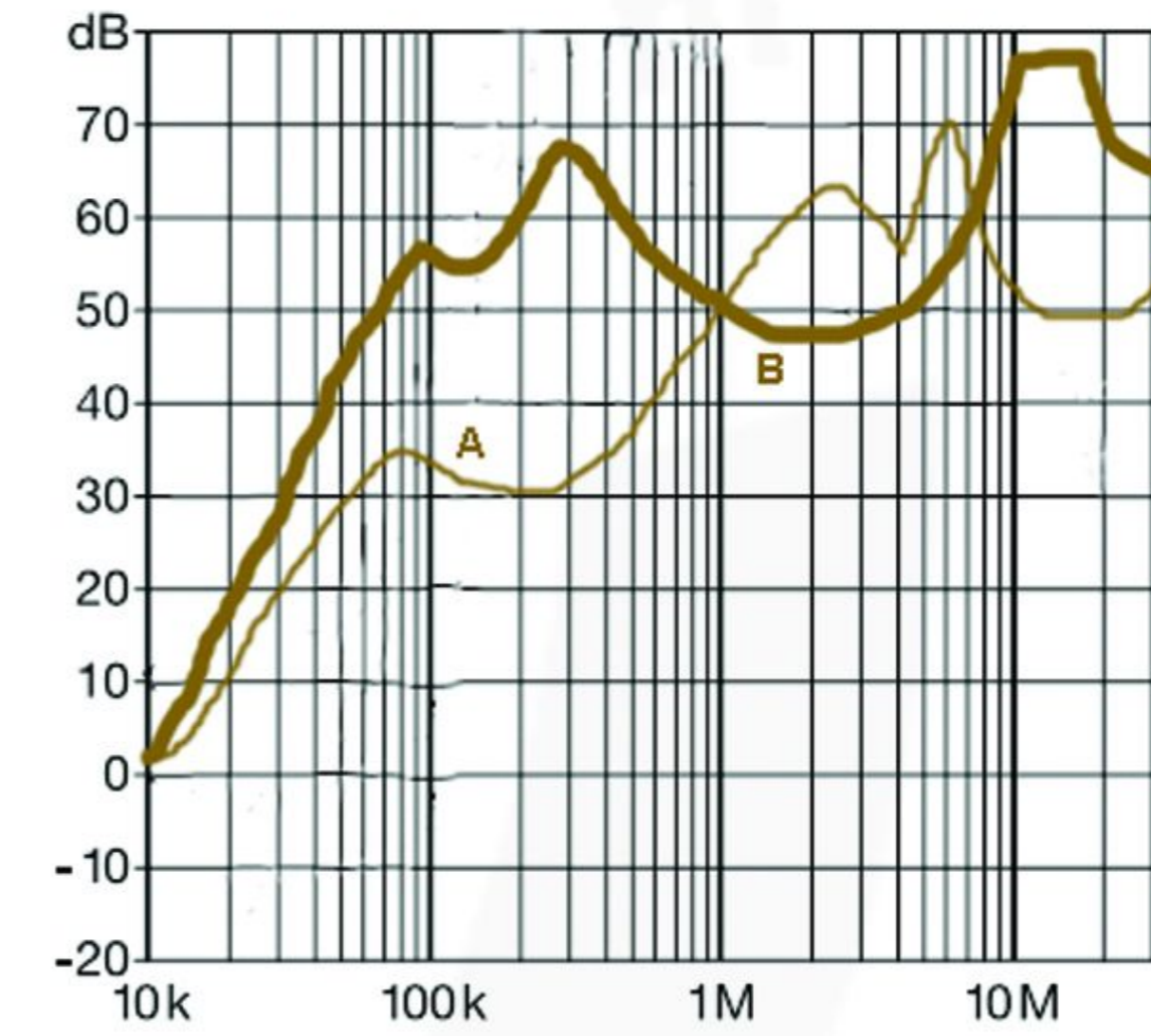
10 - 30 A



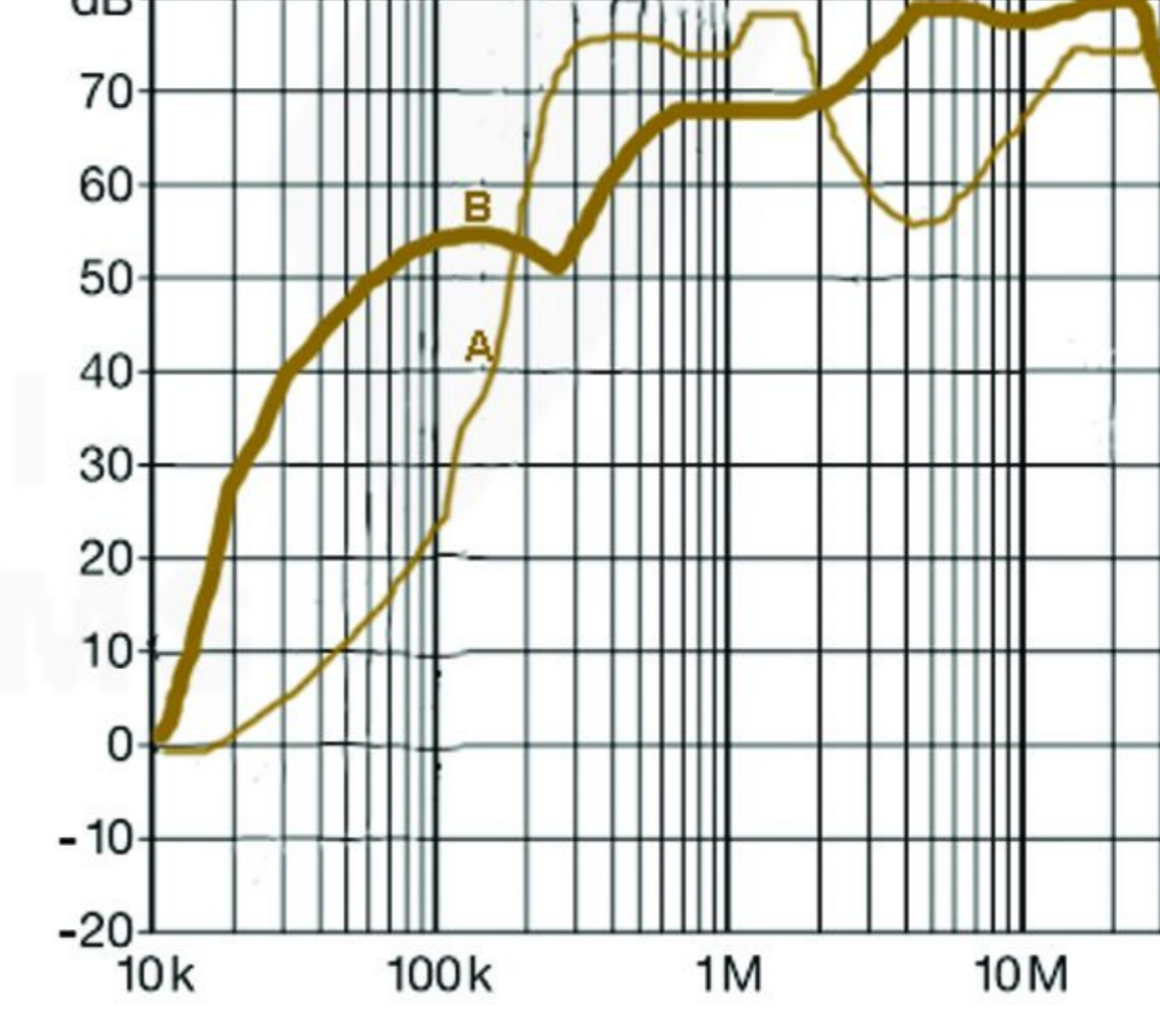
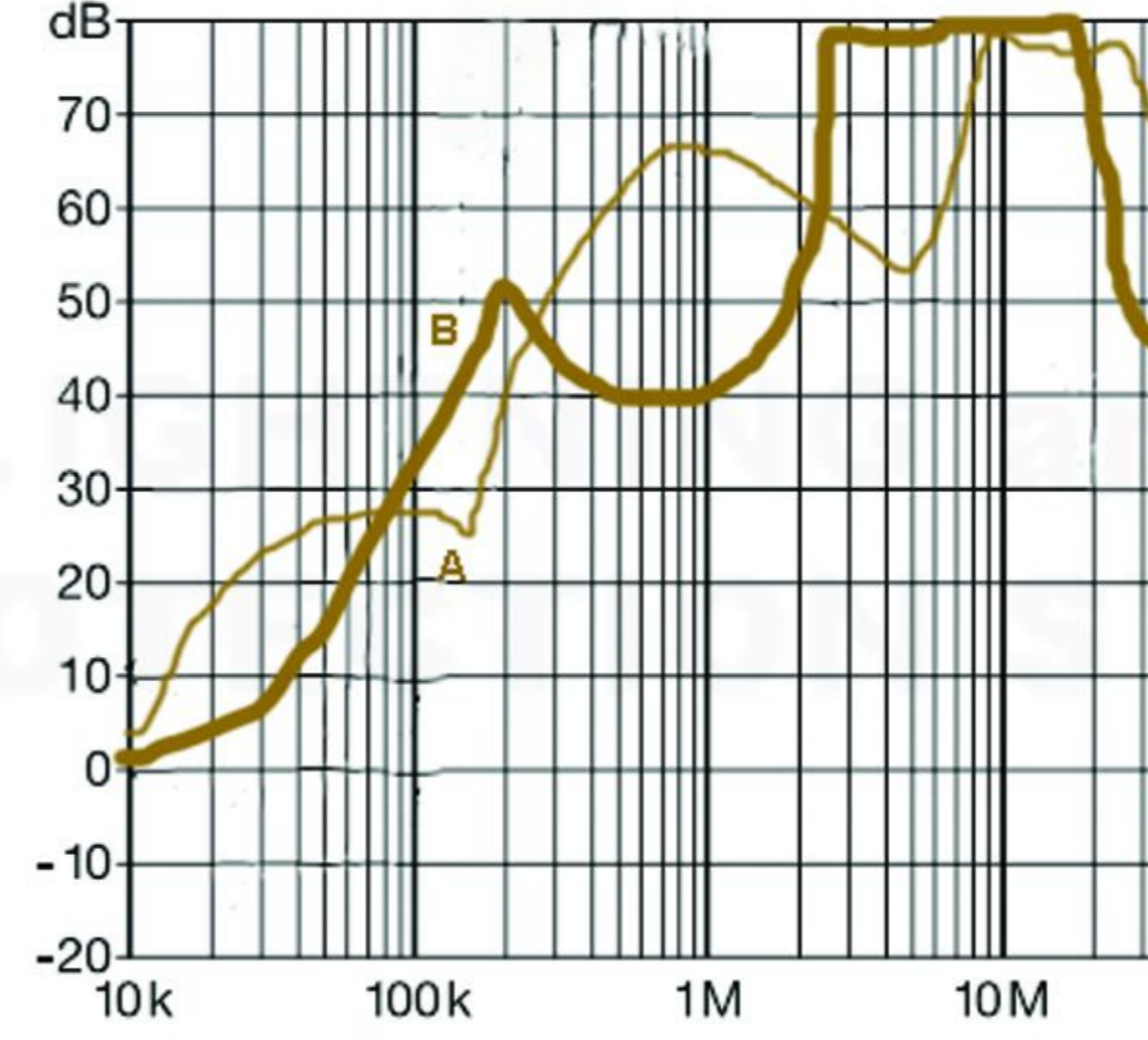
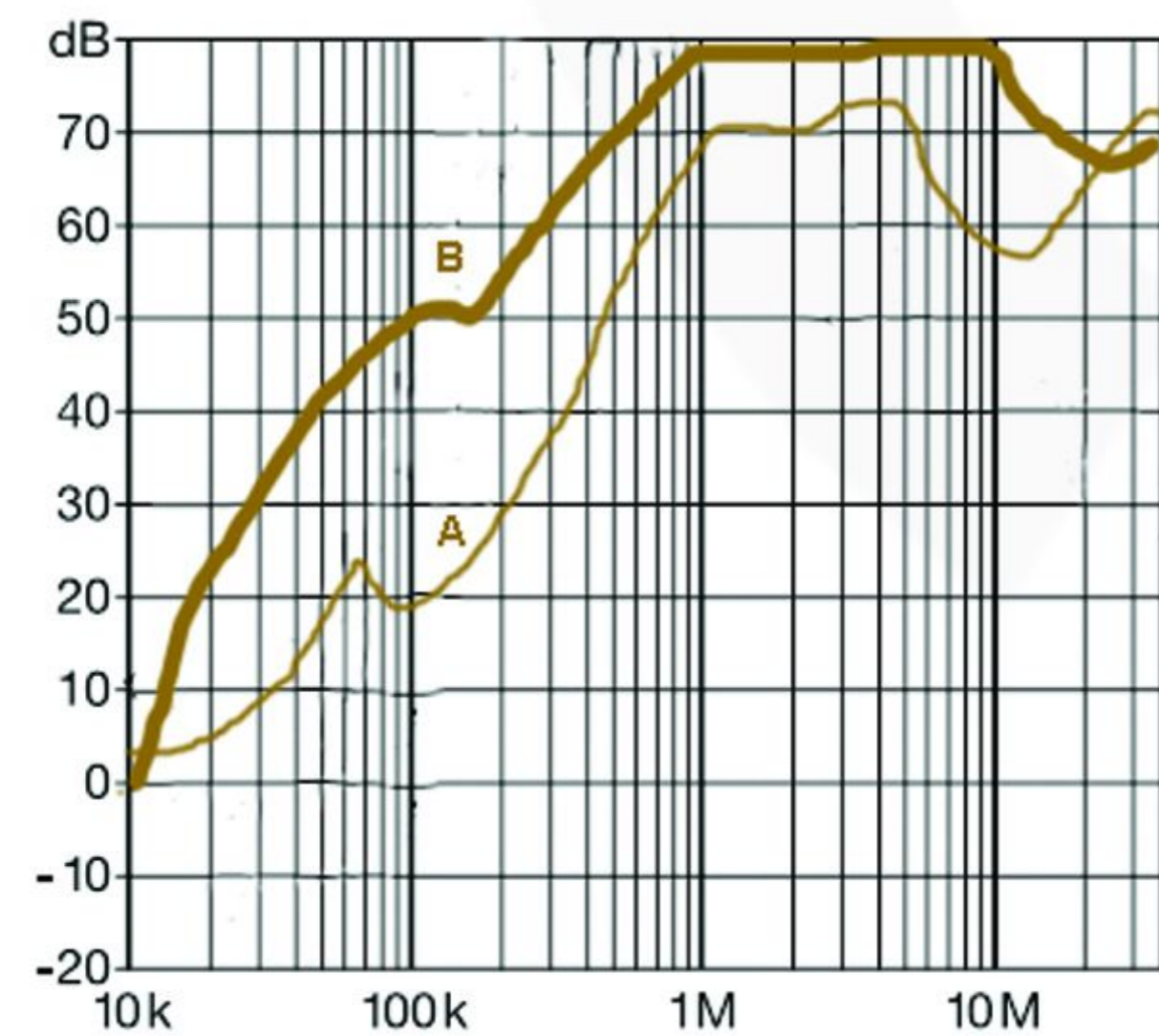
32 -50 A



60 - 100 A

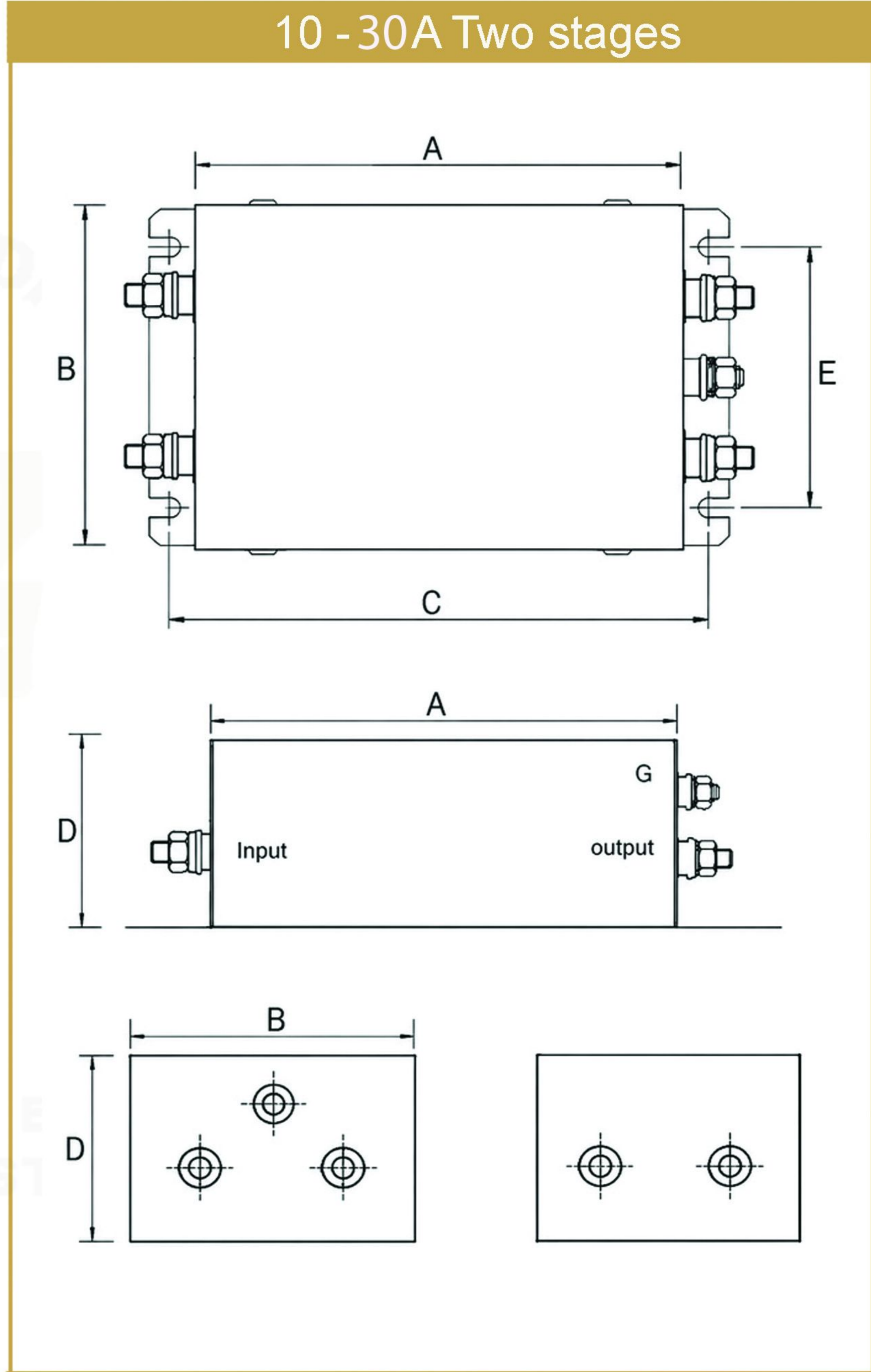
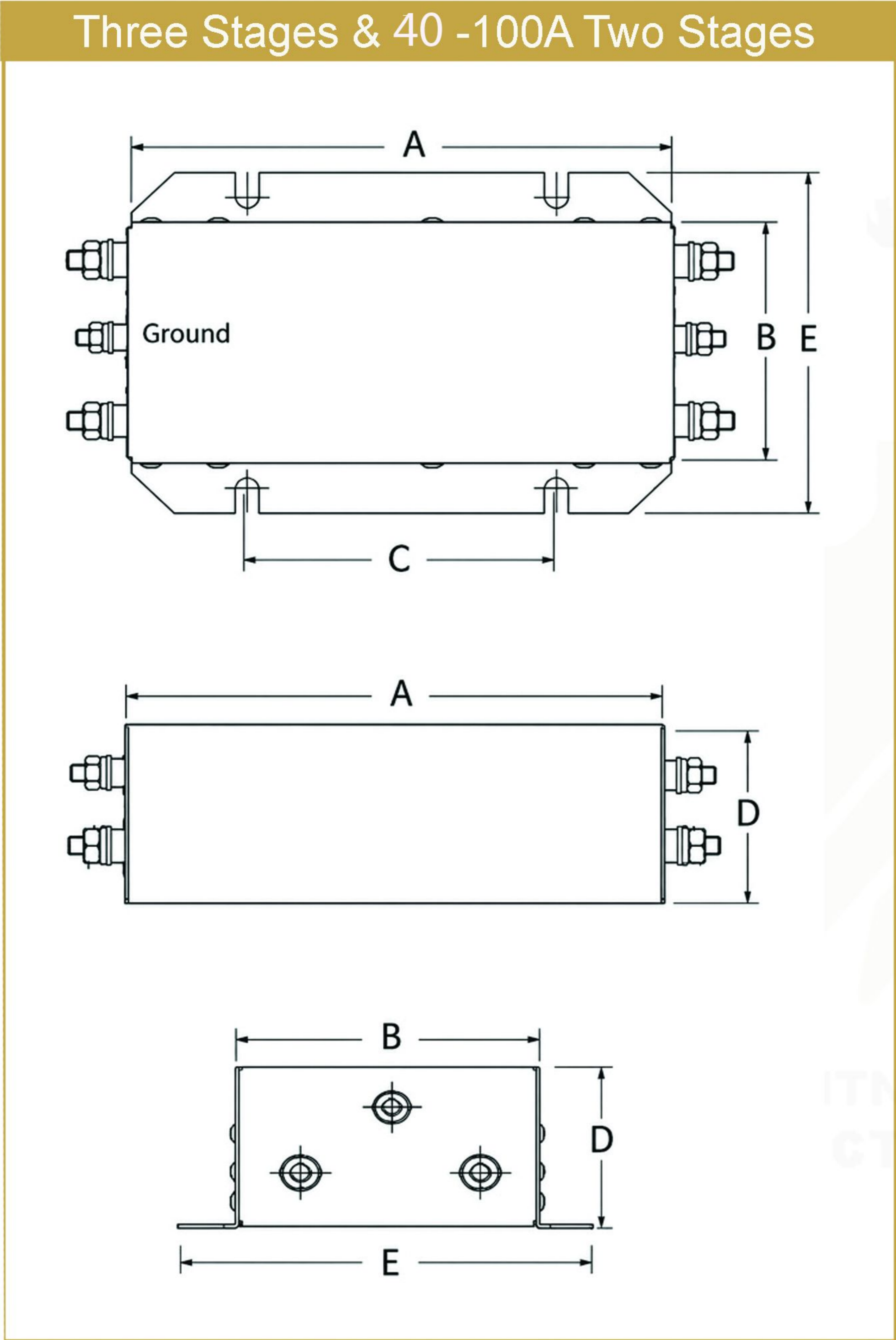


Two Stages filter



Three Stages filter

### Mechanical Data



## Two Stages filter selection table

Model	Rated current @ 40C (A)	Leakage current @250 VAC /50 Hz (mA)	Power loss @40C (W)	Connection type	Weight (Kg)	Dimensions				
						A (mm)	B (mm)	C (mm)	D (mm)	E (mm)
ET1EMI2S – 250 – 10	10	1.5	1.8	*	0.40	80	62	100	43	43
ET1EMI2S – 250 – 15	15	1.5	2.5	*	0.41	80	62	100	43	43
ET1EMI2S – 250 – 20	20	1.7	2.9	*	0.45	80	62	100	43	43
ET1EMI2S – 250 – 25	25	1.7	3.4	*	0.56	90	73	108	43	50
ET1EMI2S – 250 – 30	30	2.1	3.8	*	0.65	90	73	108	43	50
ET1EMI2S – 250 – 40	40	2.4	4.7	*	0.98	160	100	100	65	133
ET1EMI2S – 250 – 50	50	2.9	5.9	*	1.20	160	100	100	65	133
ET1EMI2S – 250 – 60	60	3.3	7.3	*	1.85	160	100	100	65	133
ET1EMI2S – 250 – 80	80	4.7	9.5	*	2.90	250	150	156	100	180
ET1EMI2S – 250 – 100	100	5.9	11.2	*	3.65	250	150	156	100	180

## Three Stages filter selection table

Model	Rated current @ 40C (A)	Leakage current @250 VAC /50 Hz (mA)	Power loss @40C (W)	Connection type	Weight (Kg)	Dimensions				
						A (mm)	B (mm)	C (mm)	D (mm)	E (mm)
ET1EMI3S – 250 – 10	10	1.5	1.8	*	0.40	150	90	101	45	120
ET1EMI3S – 250 – 15	15	1.5	2.5	*	0.41	150	90	101	45	120
ET1EMI3S – 250 – 20	20	1.7	2.9	*	0.45	150	90	101	45	120
ET1EMI3S – 250 – 25	25	1.7	3.4	*	0.56	150	90	101	45	120
ET1EMI3S – 250 – 30	30	2.1	3.8	*	0.65	150	90	101	45	120
ET1EMI3S – 250 – 40	40	2.4	4.7	*	0.98	200	120	148	75	155
ET1EMI3S – 250 – 50	50	2.9	5.9	*	1.20	200	120	148	75	155
ET1EMI3S – 250 – 60	60	3.3	7.3	*	1.85	200	120	148	75	155
ET1EMI3S – 250 – 80	80	4.7	9.5	*	2.90	250	150	156	100	180
ET1EMI3S – 250 – 100	100	5.9	11.2	*	3.65	250	150	156	100	180

Adress : Floor 1, No:246 , Behbudi st, Azadi st, Tehran, Iran

Postal code : 1456763767

Tel : +982166198534

WhatsApp : +98910 457 70 10

